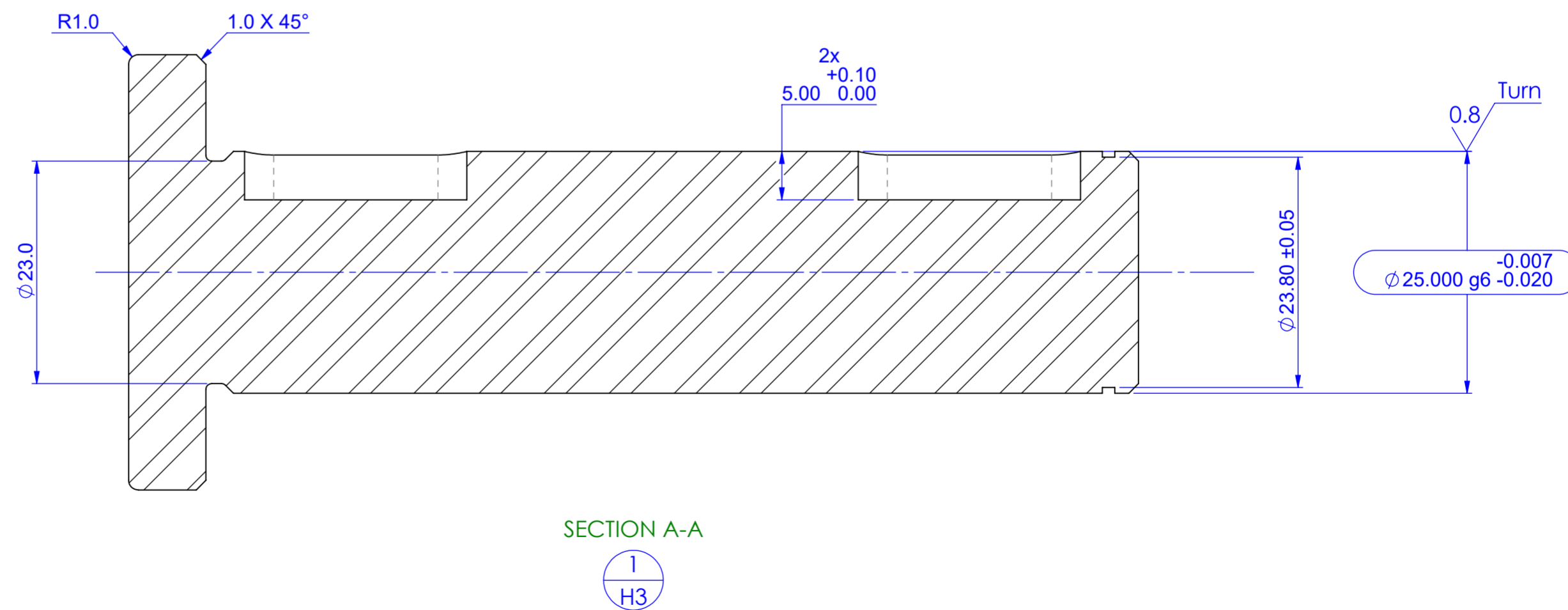
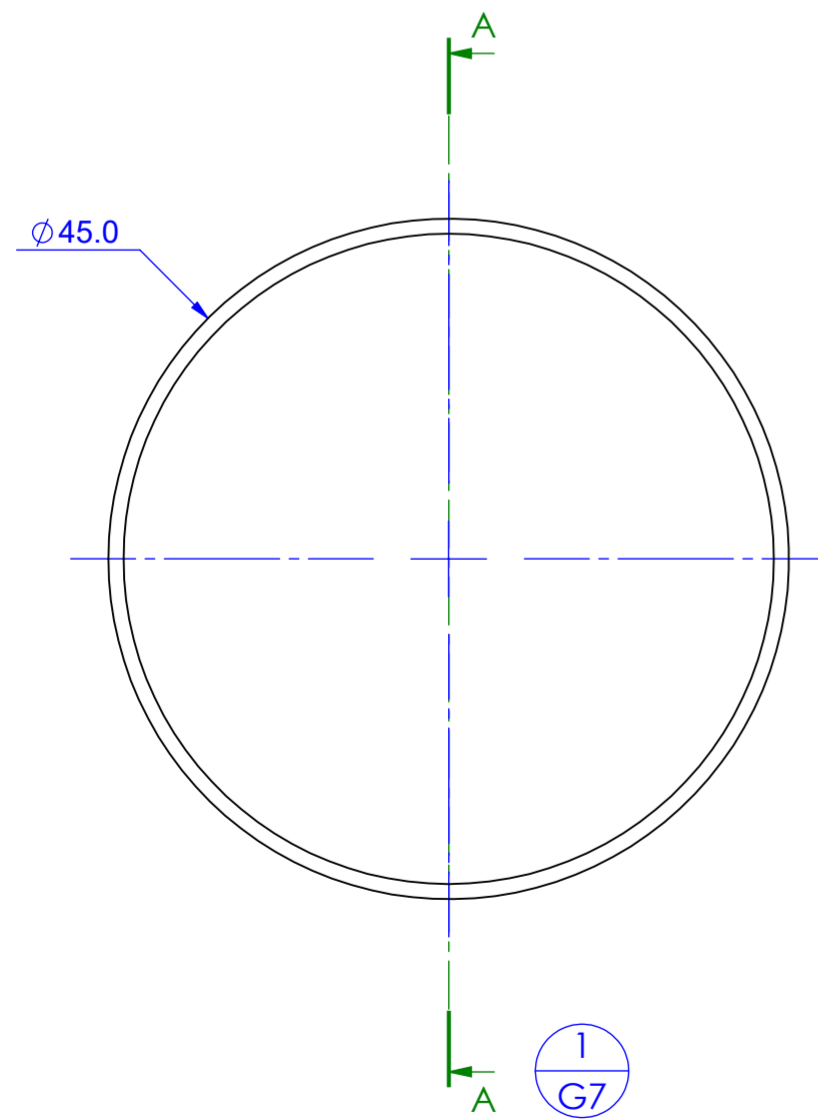
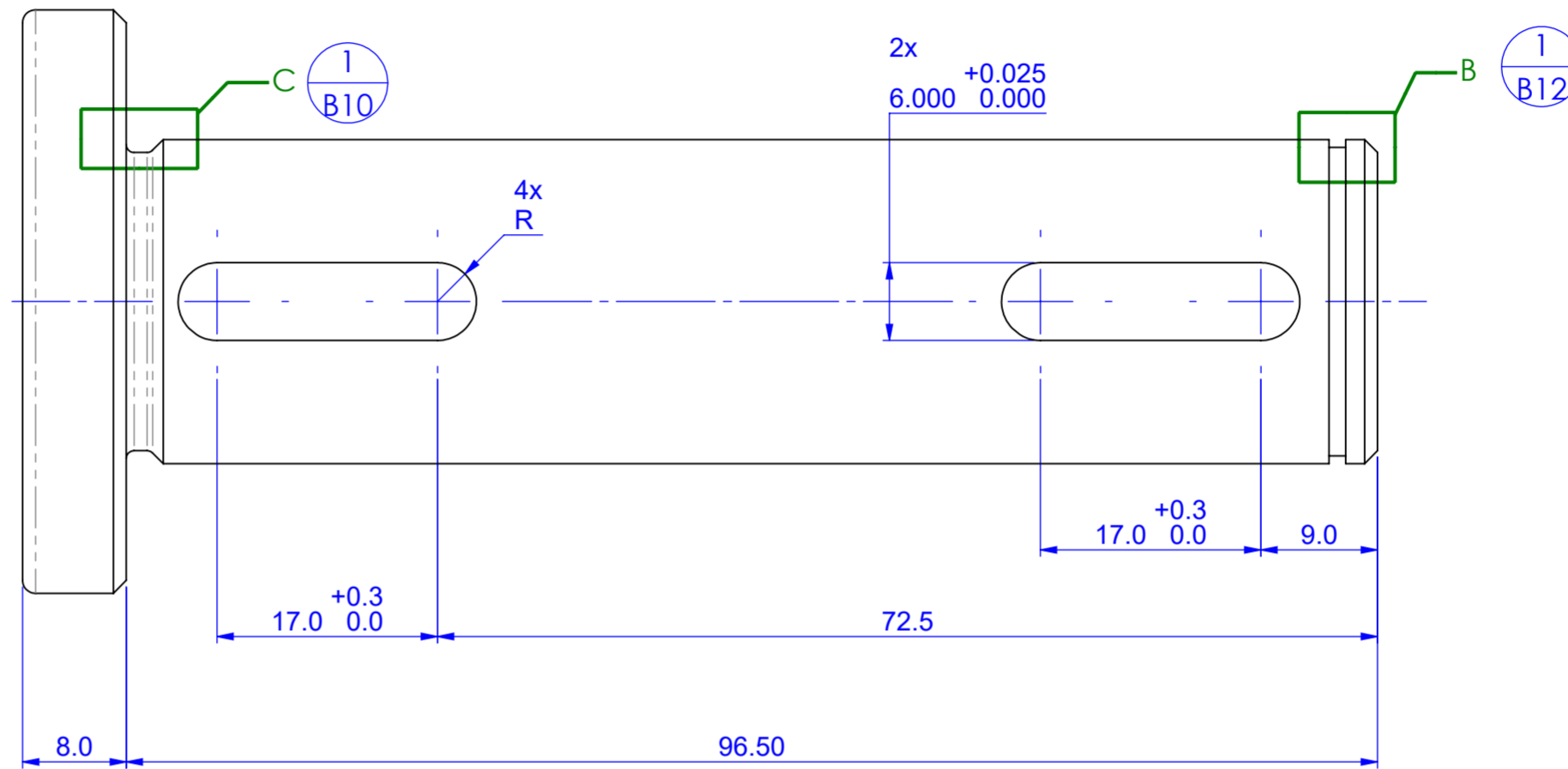
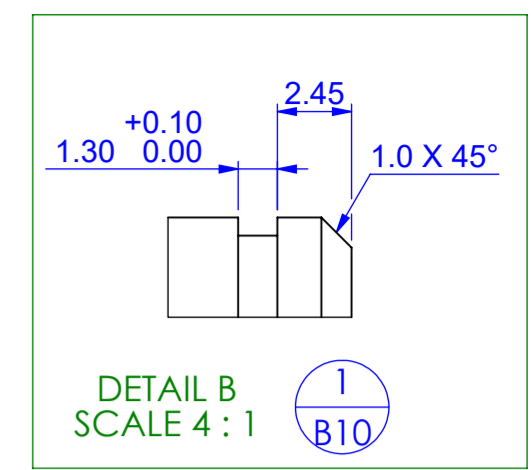
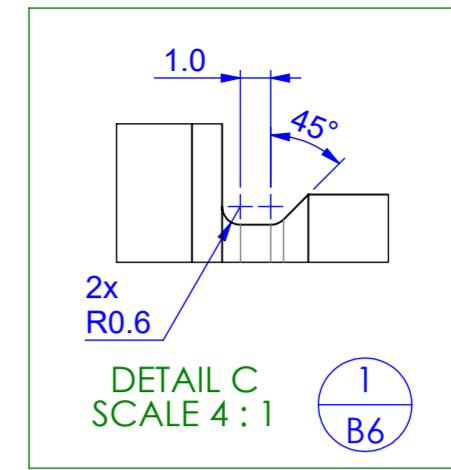
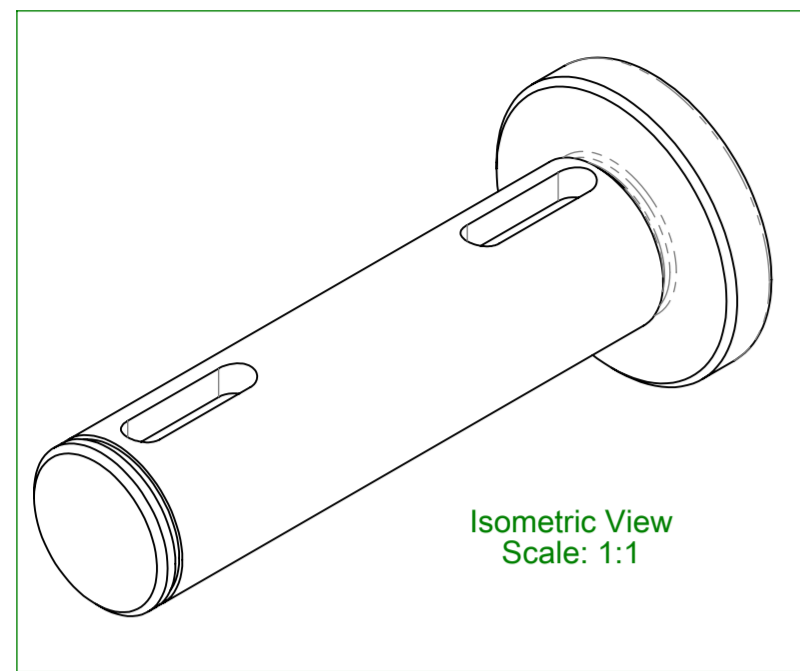


REVISIONS				
REV.	DESCRIPTION	DATE	DRAWN	APPROVED
1	FIRST ISSUE	18-JAN-2020	TB	WHC



White Horse CAD Ltd Design Rights 2020 Tel: +44 (0) 1373 801 803 www.whitehorsecad.com		Material: <b>EN24T (Carbon Steel)</b>	Project: <b>Wobble Engine</b>	Drawing Number: <b>P9999-11105</b>	Scale: <b>2:1</b>	Rev: <b>1</b>	Name: <b>TB</b>	Date: <b>18-Jan-2020</b>	Weight: <b>0.46Kg</b>
		Material Standard: (if Required) <b>N/A</b>	Finish: <b>As Machined</b>	Unspecified Dimensions X ± 1mm X.X ± 0.3mm X.XX ± 0.1mm	Paper Size: <b>A2</b>	Sheet: <b>1 of 1</b>	Checked: <b>WHC</b>	Date: <b>18-Jan-2020</b>	Approved: <b>WHC</b>