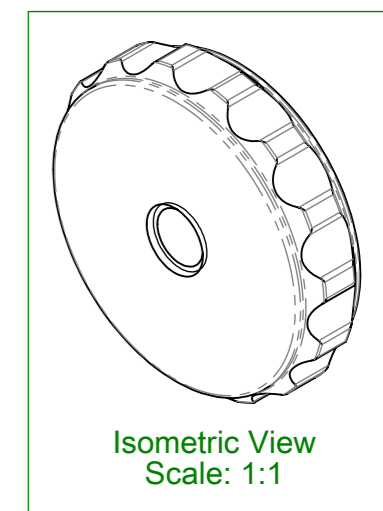
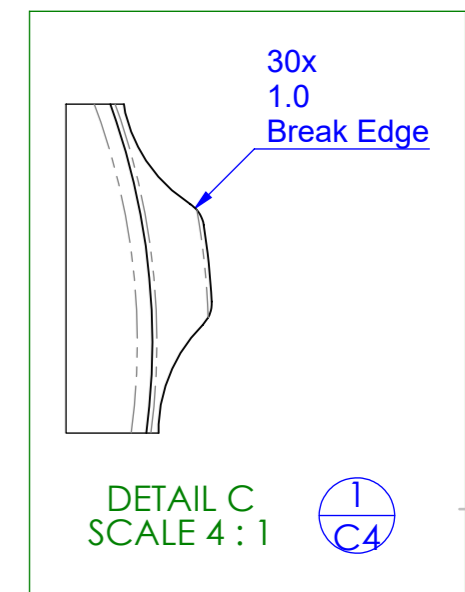
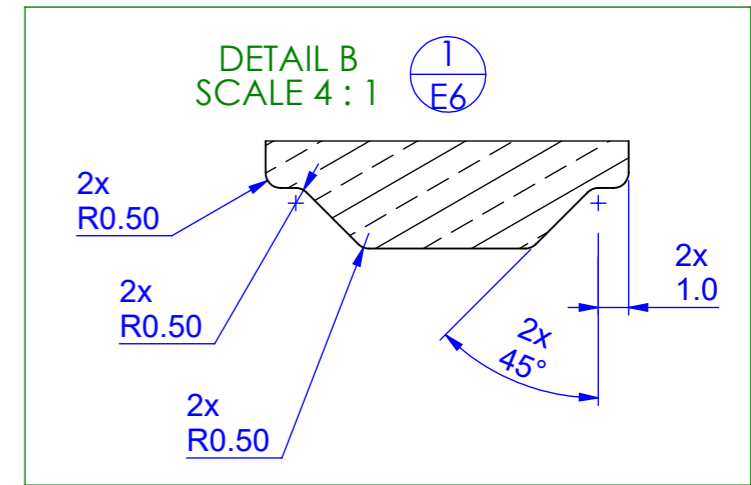
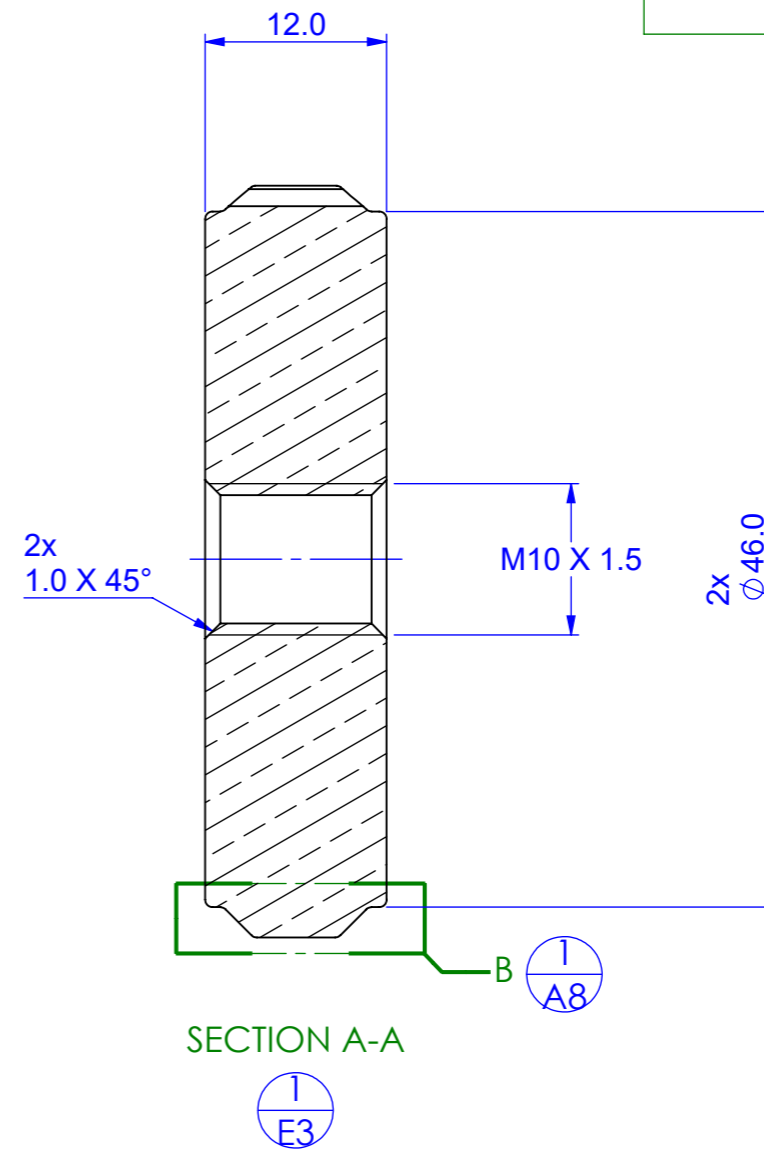
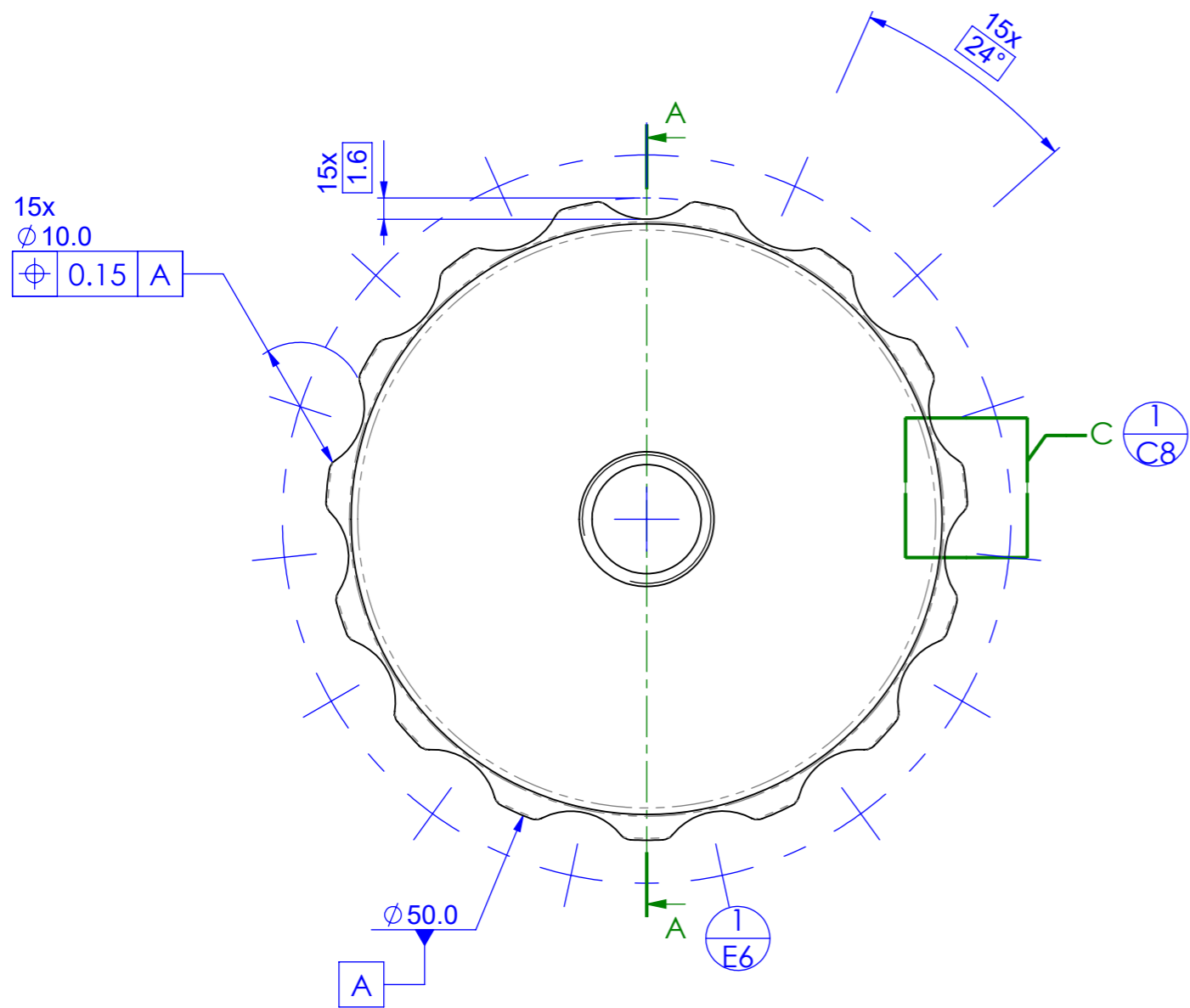


REVISIONS				
REV.	DESCRIPTION	DATE	DRAWN	APPROVED
1	FIRST ISSUE	09-JAN-2020	TB	WHC



White Horse CAD Ltd
Design Rights 2020
Tel: +44 (0) 1373 801 803
www.whitehorsecad.com



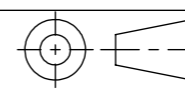
Material: **Brass**
Material Standard: (If Required)
Finish: **As Machined**

Project: **Wobble Engine**
Title: **Adjusting Nut**

All Dimensions in mm
DO NOT SCALE

Unspecified Dimensions
X \pm 1mm
X.X \pm 0.3mm
X.XX \pm 0.1mm

THIRD ANGLE PROJECTION



Drawing Number
P9999-11104

Paper Size
A3

Scale
2:1

Sheet
1 of 1

Rev
1

	Name	Date
Drawn	TB	09-Jan-2020
Checked	WHC	09-Jan-2020
Approved	WHC	09-Jan-2020

Weight
175.16g
Surface Finish:
General: (Ra) 0.8 μ m