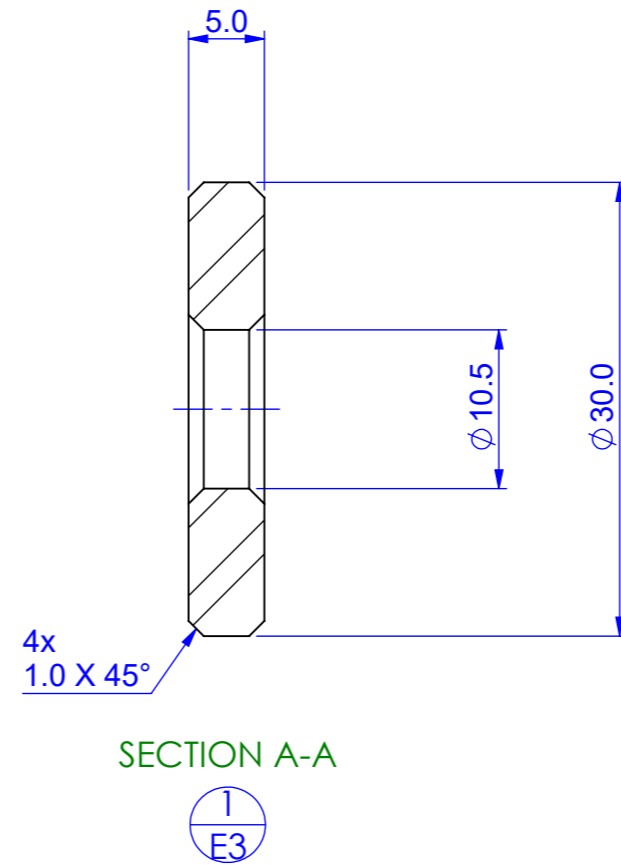
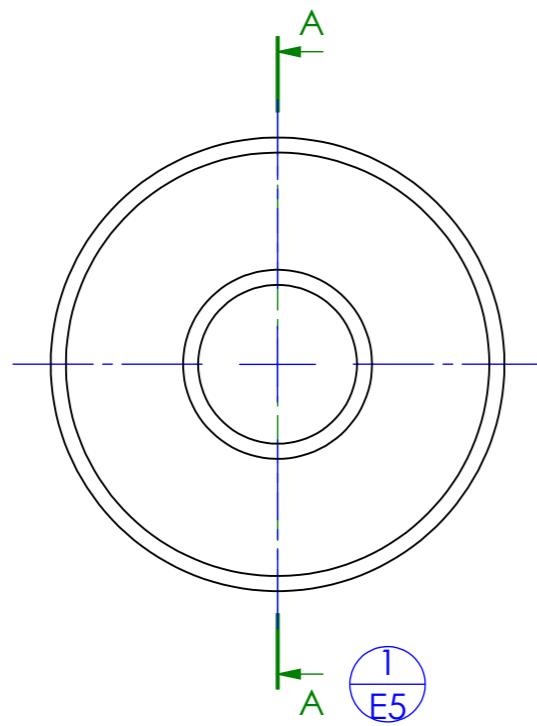
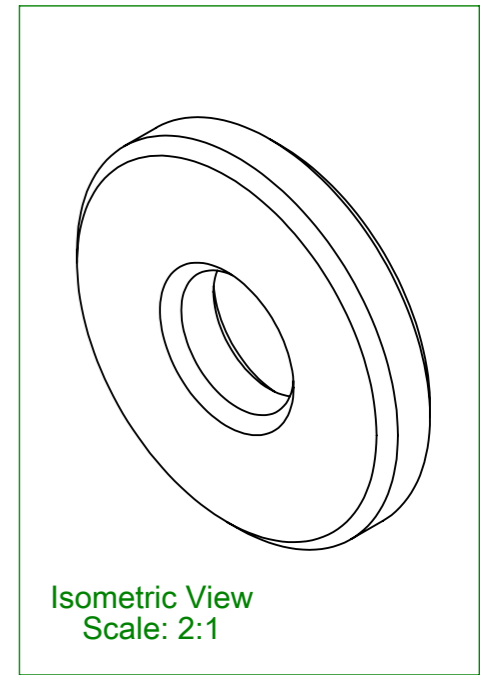


REVISIONS				
REV.	DESCRIPTION	DATE	DRAWN	APPROVED
1	FIRST ISSUE	02-JAN-2020	TB	WHC



White Horse CAD Ltd
Design Rights 2020
Tel: +44 (0) 1373 801 803
www.whitehorsecad.com



Material: **Mild Steel**

Material Standard: (If Required)

Finish:
As Machined

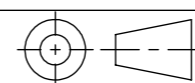
Project: **Wobble Engine**

Title: **Piston Block Washer**

All Dimensions in mm
DO NOT SCALE

Unspecified Dimensions
X ± 1mm
X.X ± 0.3mm
X.XX ± 0.1mm

THIRD
ANGLE
PROJECTION



Drawing Number

P9999-11103

Scale

2:1

Rev

1

Paper Size
A3

Sheet
1 of 1

	Name	Date
Drawn	TB	02-Jan-2020
Checked	WHC	02-Jan-2020
Approved	WHC	02-Jan-2020

Weight

23.20g

Surface Finish:
General: (Ra) 1.6 μm