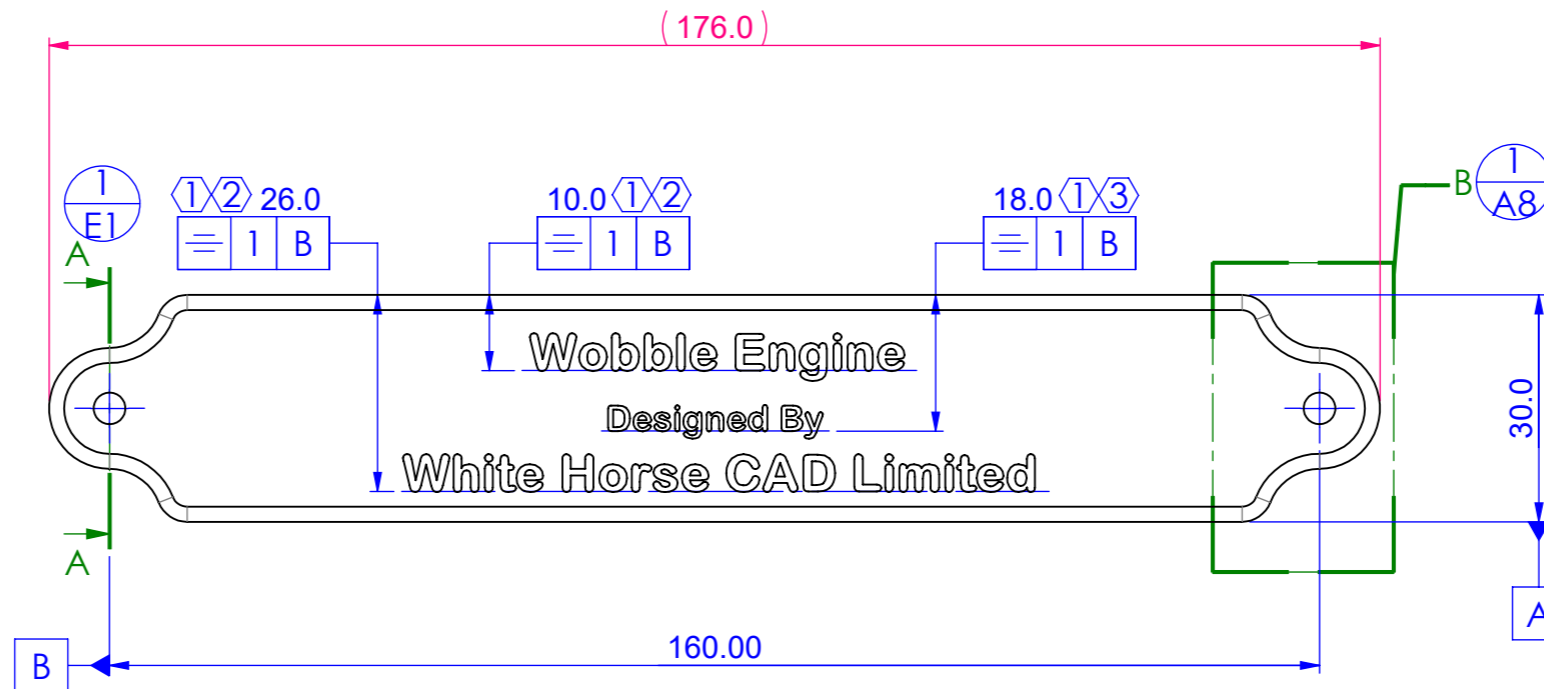
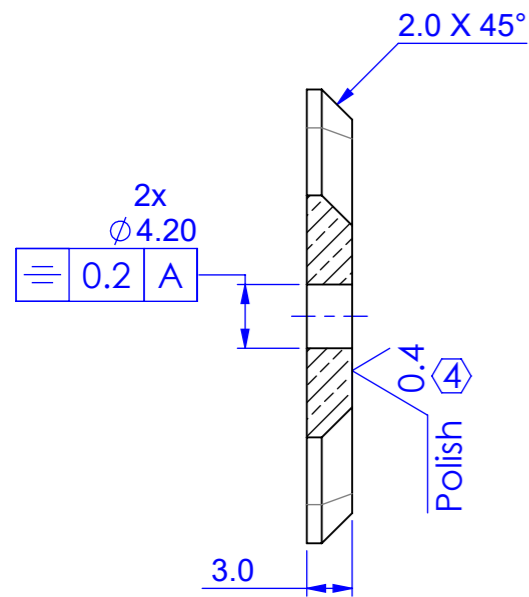
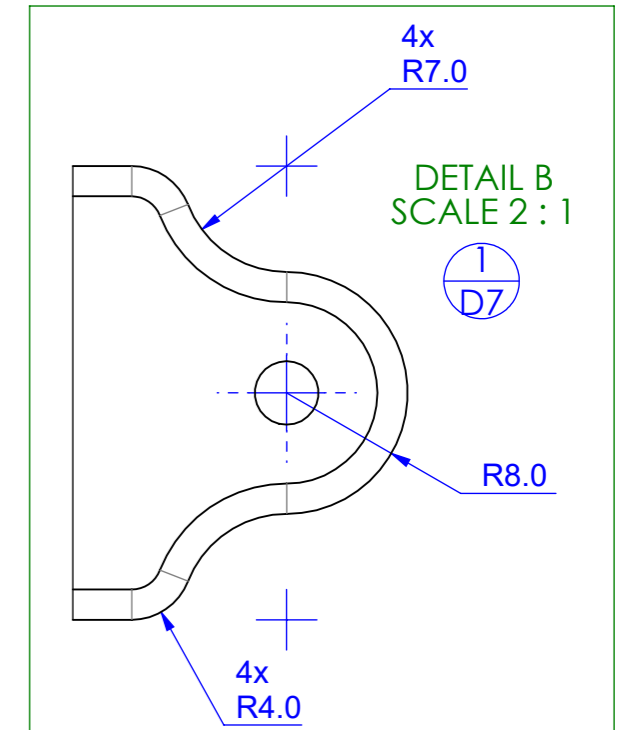
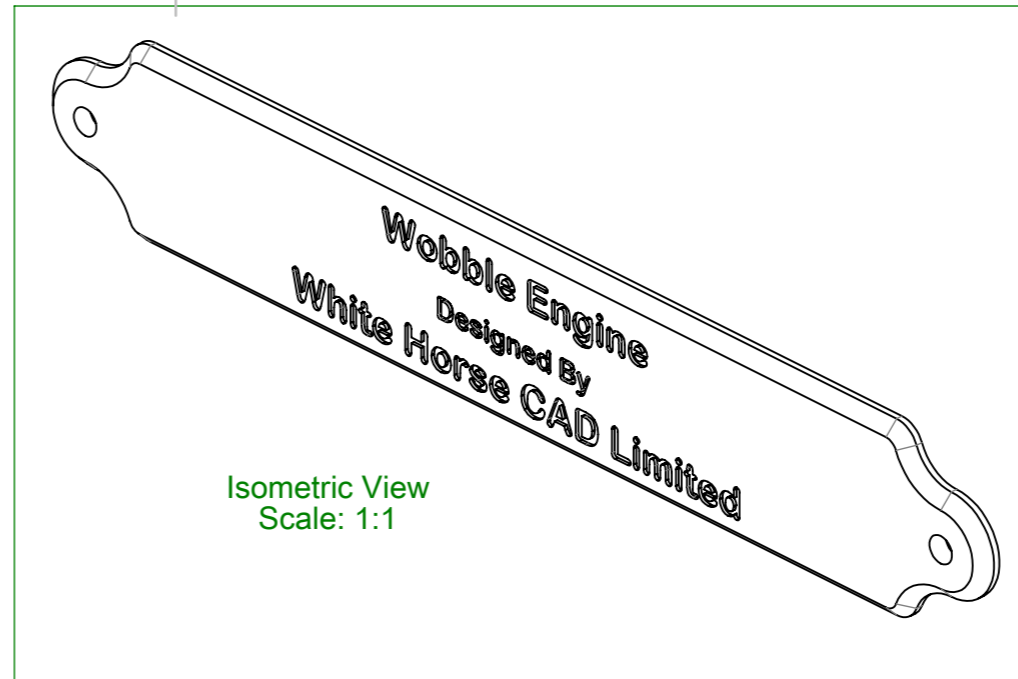


REVISIONS				
REV.	DESCRIPTION	DATE	DRAWN	APPROVED
1	FIRST ISSUE	01-DEC-2019	TB	WHC

- NOTES
- ① ENGRAVE 0.5mm DEEP AND FILL WITH BLACK PAINT
 - ② ENGRAVE TEXT AS SHOWN:
FONT ARIAL ROUNDED
HEIGHT 5.0mm
 - ③ ENGRAVE TEXT AS SHOWN:
FONT: ARIAL ROUNDED
HEIGHT 3.5mm
 - ④ POLISH AFTER BLACK PAINT HAS FULLY DRIED AND HARDENED



White Horse CAD Ltd
Design Rights 2019
Tel: +44 (0) 1373 801 803
www.whitehorsecad.com



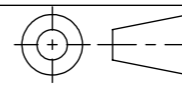
Material: **Brass**
Material Standard: (If Required)
Finish: **As Machined**

Project: **Wobble Engine**
Title: **Plaque**

All Dimensions in mm
DO NOT SCALE

Unspecified Dimensions
X ± 1mm
X.X ± 0.3mm
X.XX ± 0.1mm

THIRD ANGLE PROJECTION



Drawing Number
P9999-13104

Paper Size
A3

Scale
1:1

Sheet
1 of 1

Rev
1

	Name	Date
Drawn	TB	01-Dec-2019
Checked	WHC	01-Dec-2019
Approved	WHC	01-Dec-2019

Weight
114.87g
Surface Finish:
General: (Ra) 0.8 μm