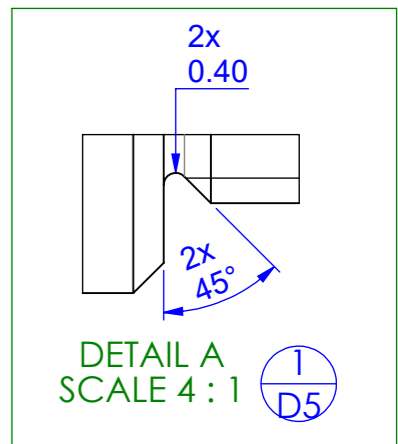
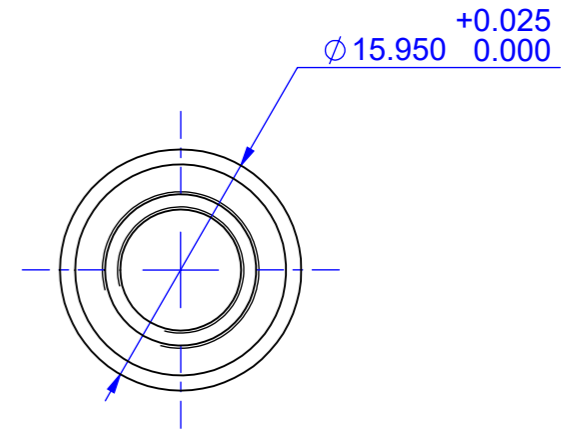
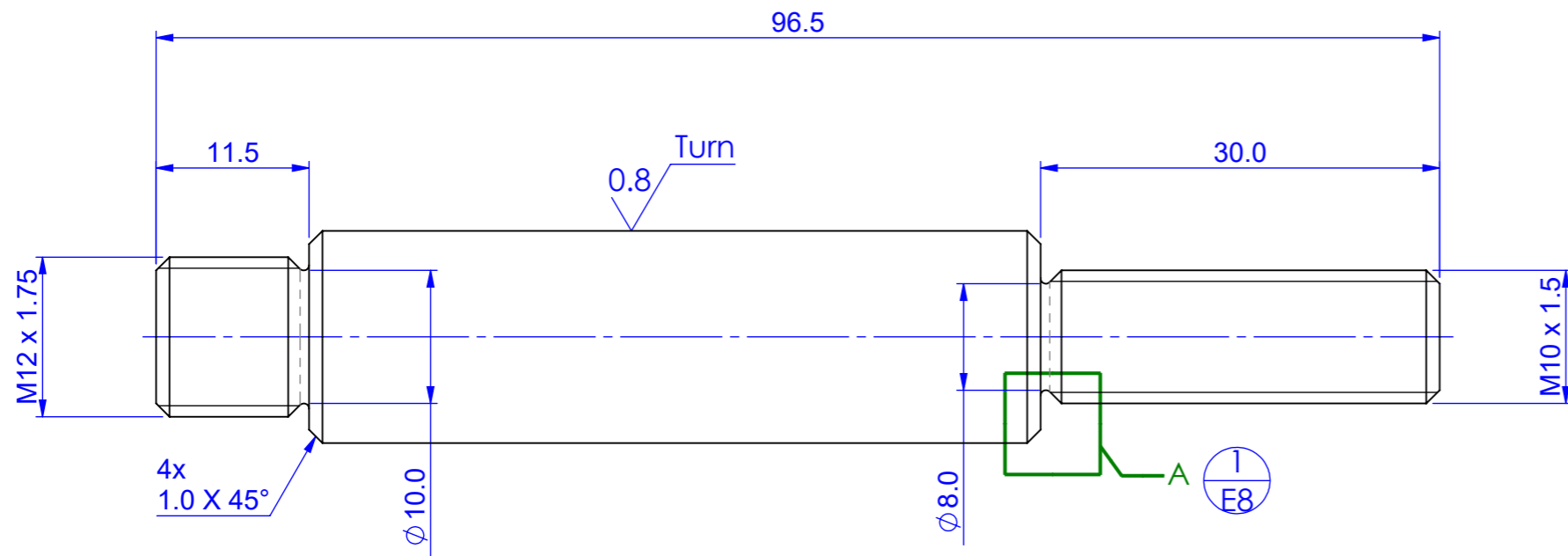
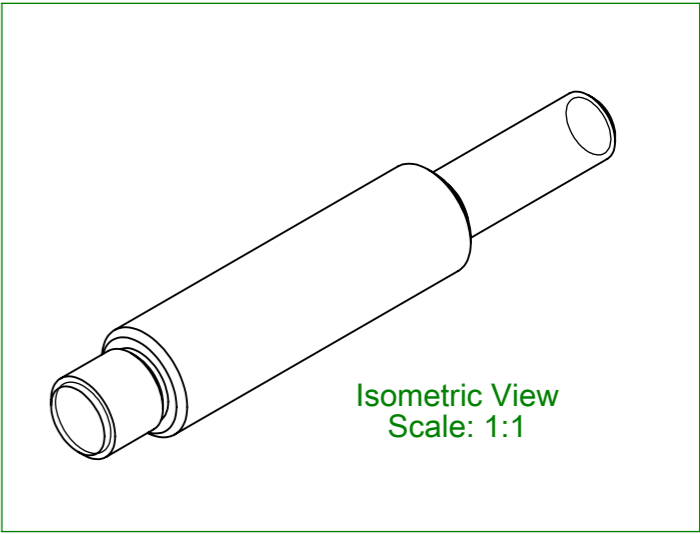


| REVISIONS | | | | |
|-----------|-------------|-------------|-------|----------|
| REV. | DESCRIPTION | DATE | DRAWN | APPROVED |
| 1 | FIRST ISSUE | 24-DEC-2019 | TB | WHC |



White Horse CAD Ltd
Design Rights 2019
Tel: +44 (0) 1373 801 803
www.whitehorsecad.com



Material: **Carbon Steel EN24T**

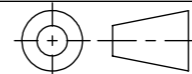
Material Standard: (If Required)
Finish: **As Machined**

Project: **Wobble Engine**
Title: **Piston Block Stud**

All Dimensions in mm
DO NOT SCALE

Unspecified Dimensions
X ± 1mm
X.X ± 0.3mm
X.XX ± 0.1mm

THIRD ANGLE PROJECTION



Drawing Number
P9999-11102

Paper Size
A3

Scale
2:1
Rev
1
Sheet
1 of 1

| | Name | Date |
|----------|------|-------------|
| Drawn | TB | 24-Dec-2019 |
| Checked | WHC | 24-Dec-2019 |
| Approved | WHC | 24-Dec-2019 |

Weight
113.10g
Surface Finish:
General: (Ra) 1.6 μm