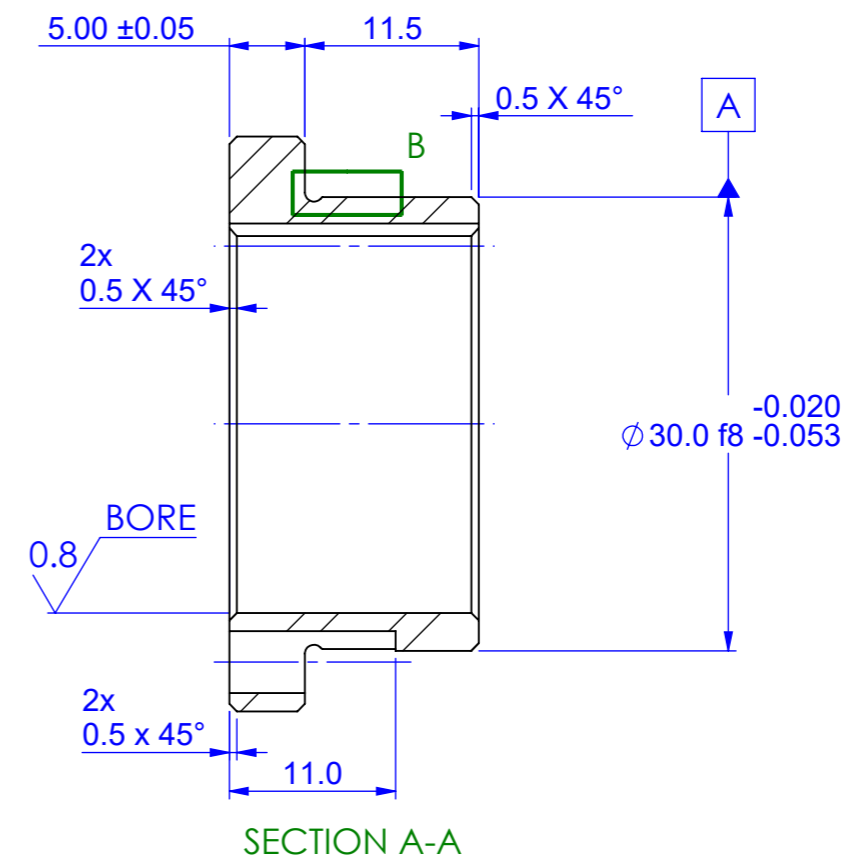
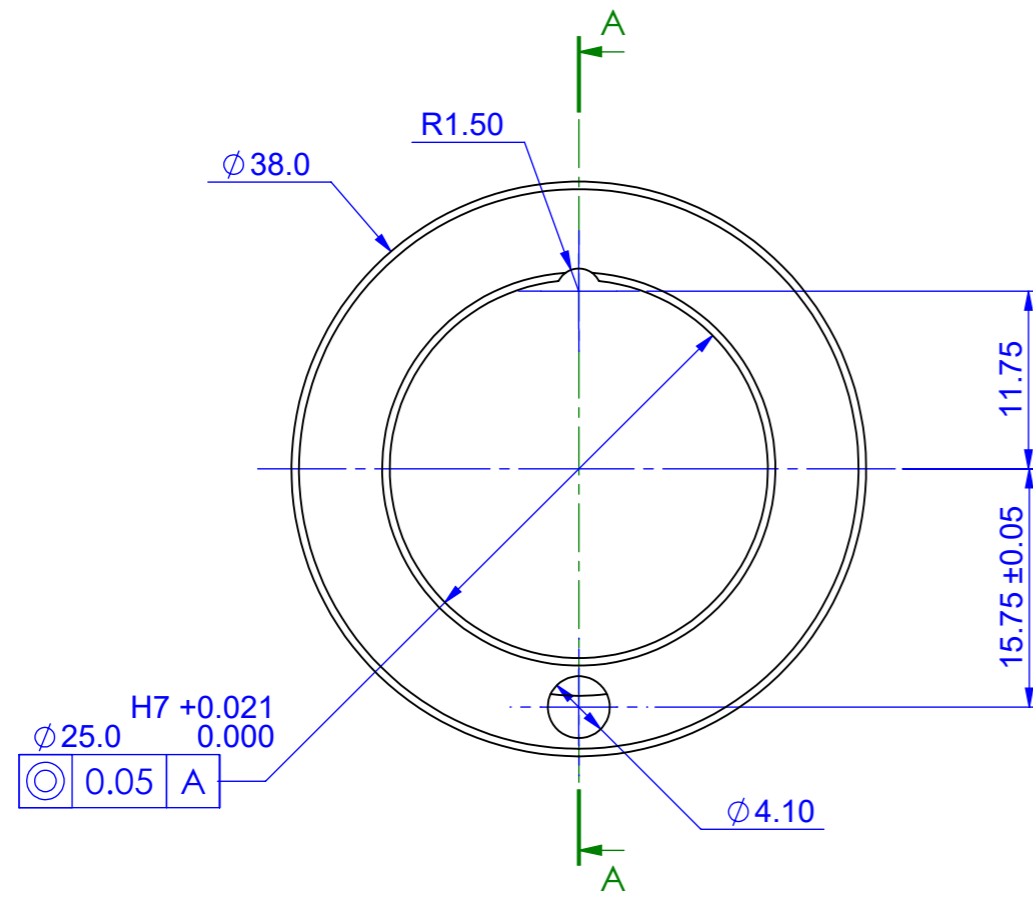
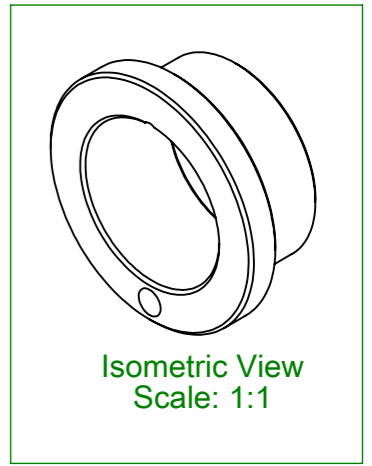
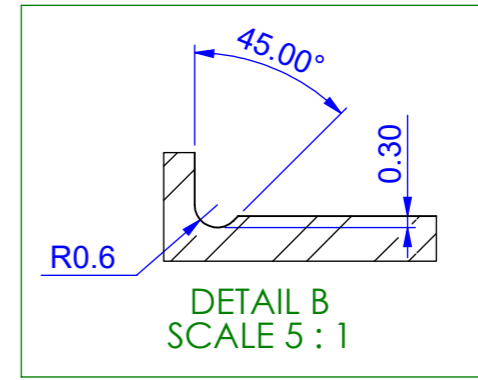


REVISIONS				
REV.	DESCRIPTION	DATE	DRAWN	APPROVED
1	FIRST ISSUE	24-NOV-2019	WHC	WHC



White Horse CAD Ltd Design Rights 2019 Tel: +44 (0) 1373 801 803 www.whitehorsecad.com		Material: Phospher Bronze	Project: Wobble Engine	Drawing Number	Scale	Rev	Name	Date	Weight
		Material Standard: (If Required) PB104	Finish: As Machined	Title: Support Bearing	P9999-13103	2:1	1	Drawn TB	24-Nov-2019
All Dimensions in mm DO NOT SCALE			Unspecified Dimensions X ± 1mm X.X ± 0.3mm X.XX ± 0.1mm	THIRD ANGLE PROJECTION	Paper Size A3	Sheet 1 of 1	Checked WHC	24-Nov-2019	Surface Finish: General: (Ra) 1.6 μm
							Approved WHC	24-Nov-2019	