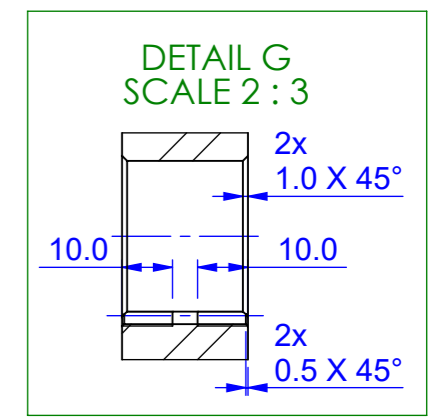
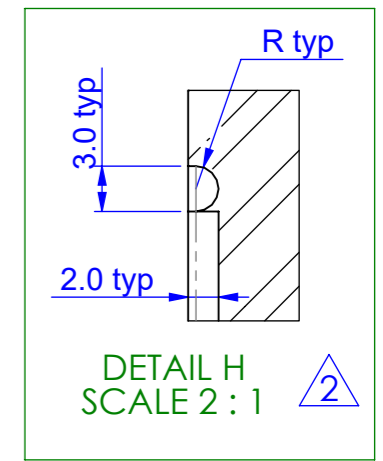
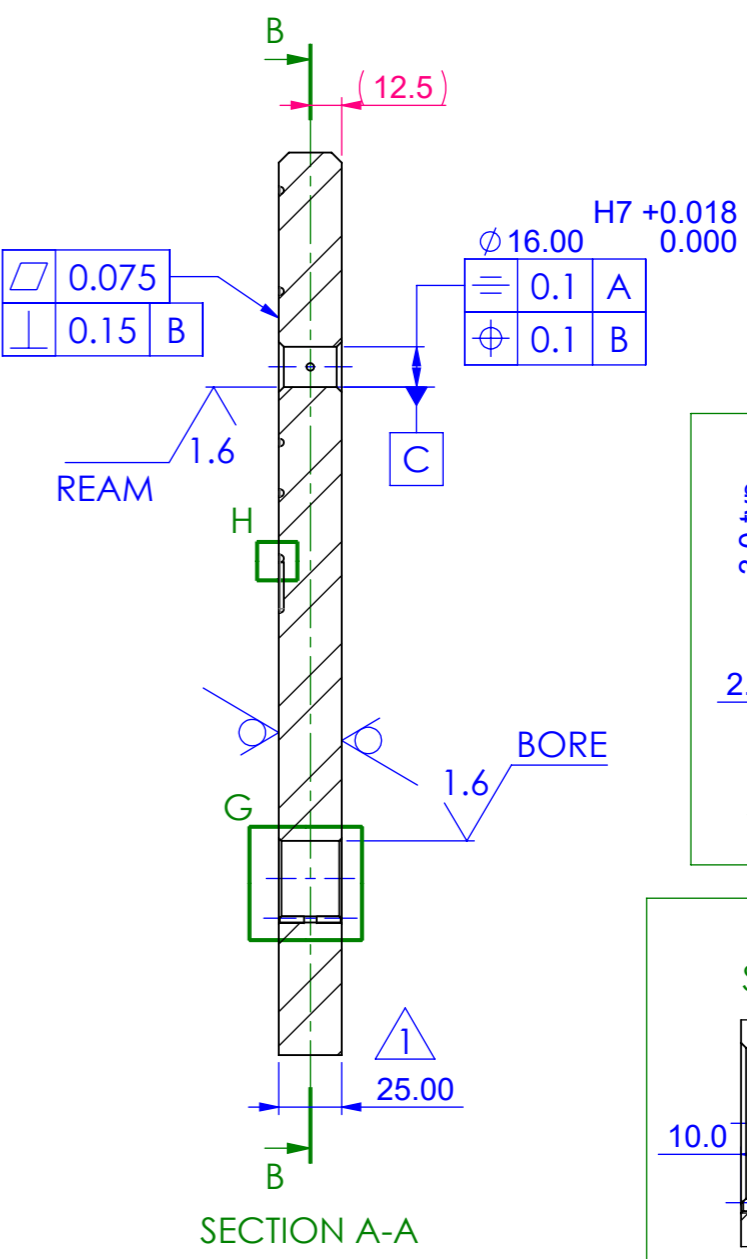
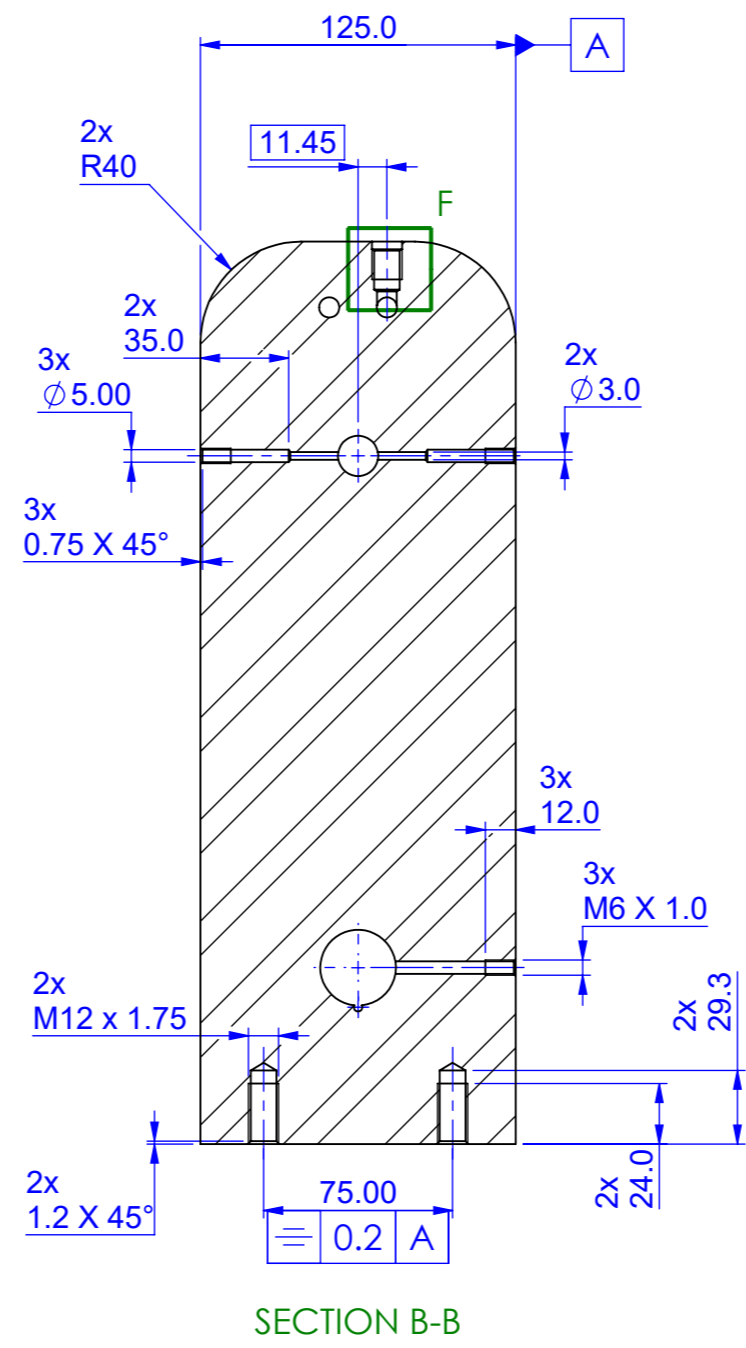
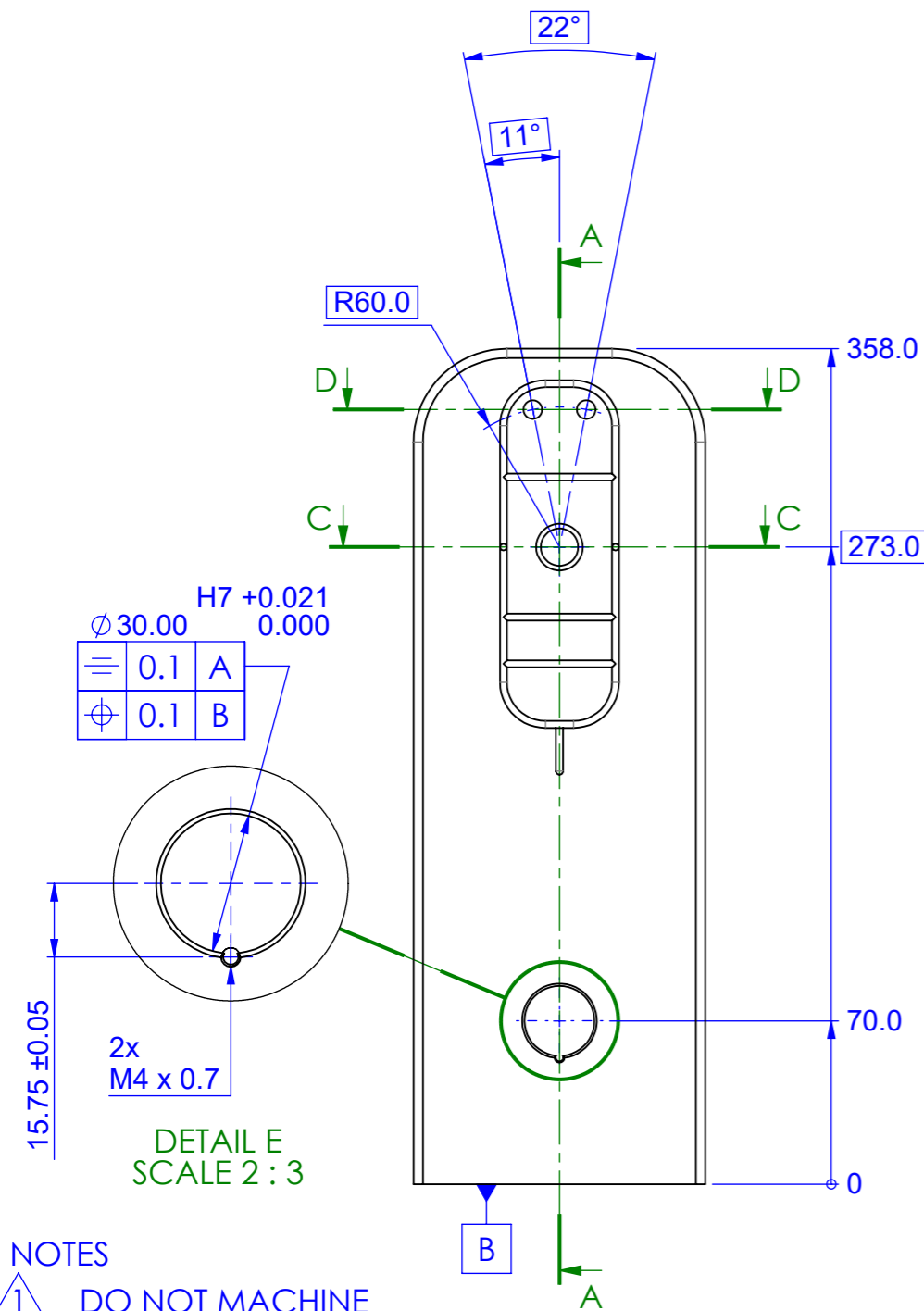
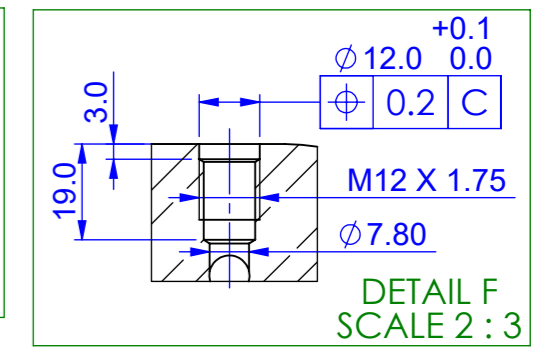
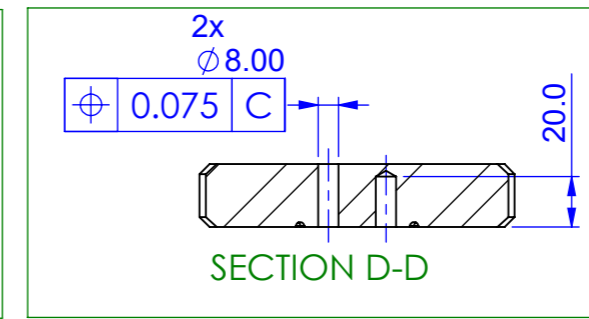
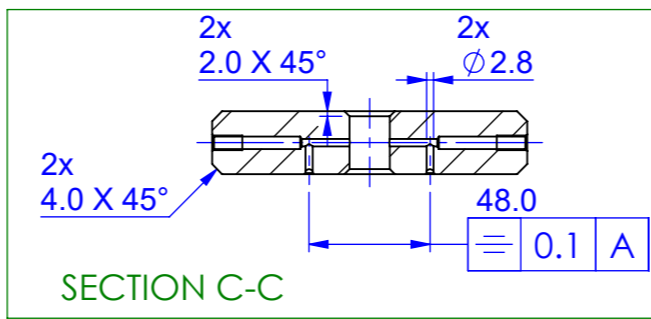


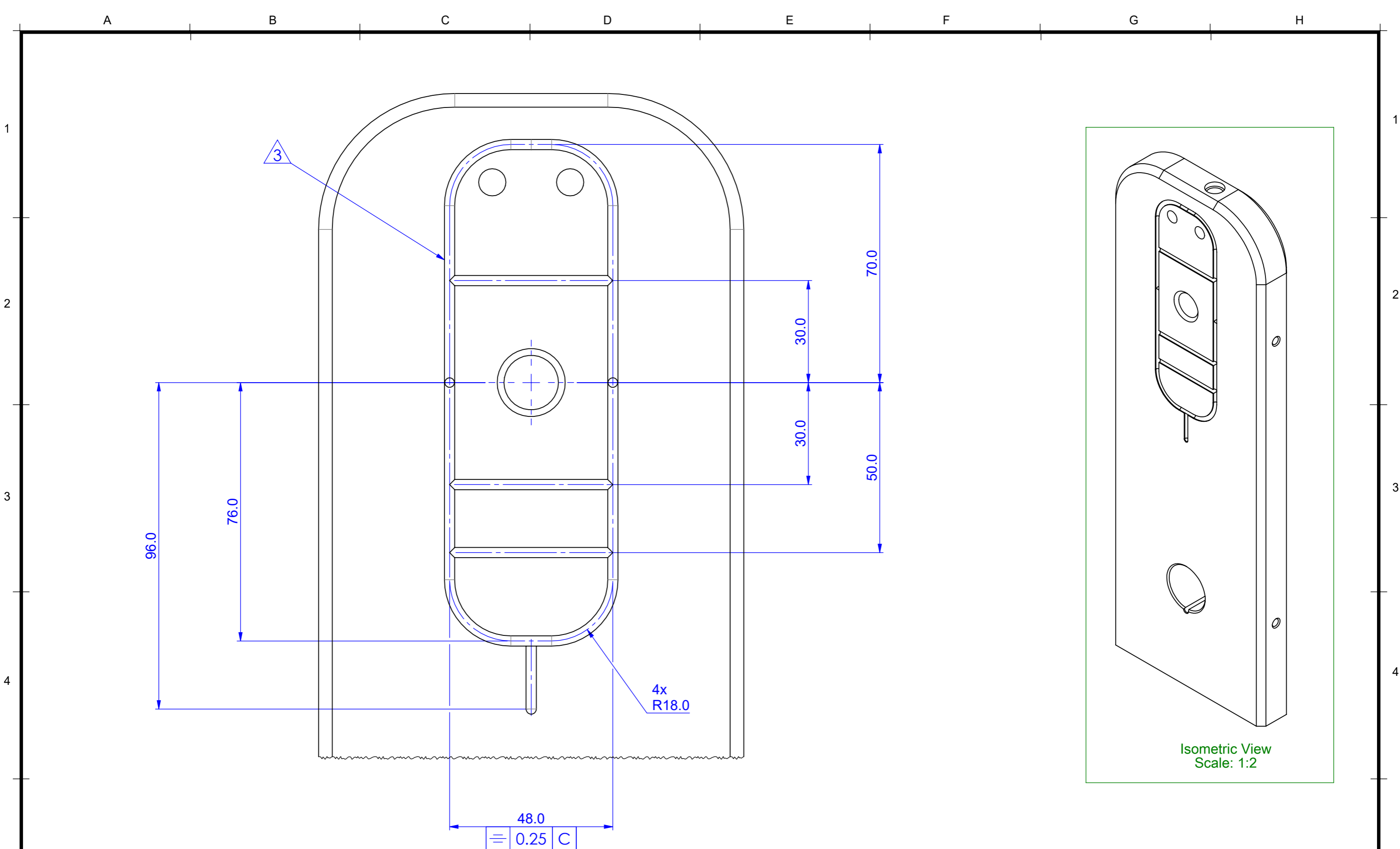
REVISIONS				
REV.	DESCRIPTION	DATE	DRAWN	APPROVED
1	FIRST ISSUE	17-NOV-2019	WHC	WHC



- NOTES
- 1 DO NOT MACHINE
  - 2 LUBRICATION WAY SEE SHEET 2 FOR MORE DETAILS
  - 3 SEE DETAIL H FOR PROFILE DETAILS

Customer Confidential

White Horse CAD Ltd Design Rights 2019 Tel: +44 (0) 1373 801 803 www.whitehorsecad.com		Material: <b>01 Tool Steel (Gauge Plate)</b>	Project: <b>Wobble Engine</b>	Drawing Number: <b>P9999-13102</b>	Scale: <b>1:3</b>	Rev: <b>1</b>	Name: <b>WHC</b>	Date: <b>17-Nov-2019</b>	Weight: <b>8.20Kg</b>
		Material Standard: (If Required) <b>DIN 17350</b>	Finish: <b>As Machined</b>	Title: <b>Main Support</b>	All Dimensions in mm DO NOT SCALE	Paper Size: <b>A3</b>	Sheet: <b>1 of 2</b>	Drawn: <b>WHC</b>	Date: <b>17-Nov-2019</b>
THIRD ANGLE PROJECTION			Unspecified Dimensions X ± 1mm X.X ± 0.3mm X.XX ± 0.1mm				Checked: <b>WHC</b>	Date: <b>17-Nov-2019</b>	
							Approved: <b>WHC</b>	Date: <b>17-Nov-2019</b>	



**Customer Confidential**

White Horse CAD Ltd Design Rights 2019 Tel: +44 (0) 1373 801 803 www.whitehorsecad.com		Material: <b>01 Tool Steel (Gauge Plate)</b>	Project: <b>Wobble Engine</b>	Drawing Number: <b>P9999-13102</b>	Scale: <b>1:1</b>	Rev: <b>1</b>	Name	Date	Weight	
		Material Standard: (If Required) <b>DIN 17350</b>	Finish: <b>As Machined</b>	Title: <b>Main Support</b>	All Dimensions in mm DO NOT SCALE	Paper Size <b>A3</b>	Sheet <b>2 of 2</b>	Drawn: <b>WHC</b>	<b>17-Nov-2019</b>	<b>8.20Kg</b>
		THIRD ANGLE PROJECTION		Unspecified Dimensions X ± 1mm X.X ± 0.3mm X.XX ± 0.1mm				Checked: <b>WHC</b>	<b>17-Nov-2019</b>	Surface Finish: General: (Ra) 1.6 μm
		Approved: <b>WHC</b>	<b>17-Nov-2019</b>							