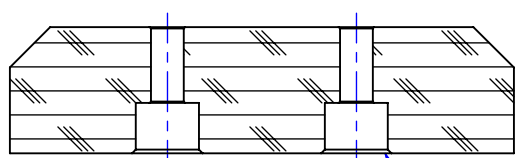
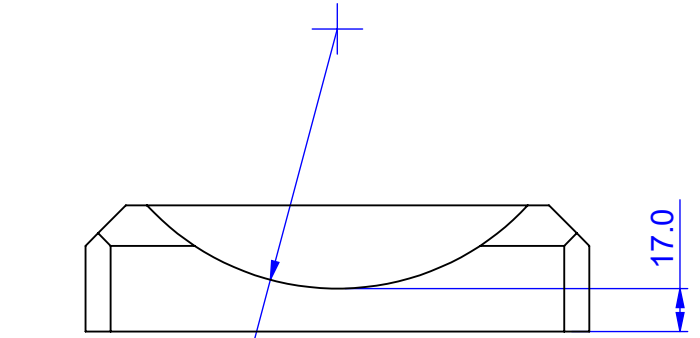
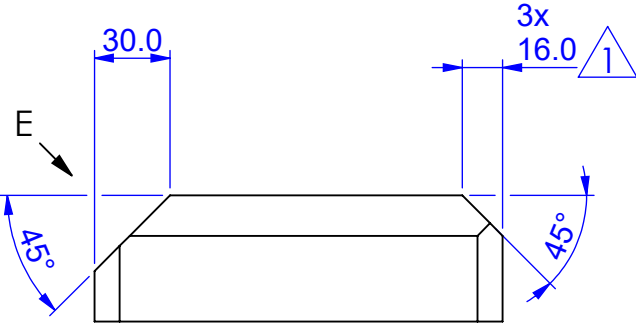
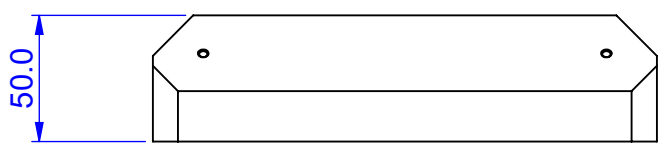
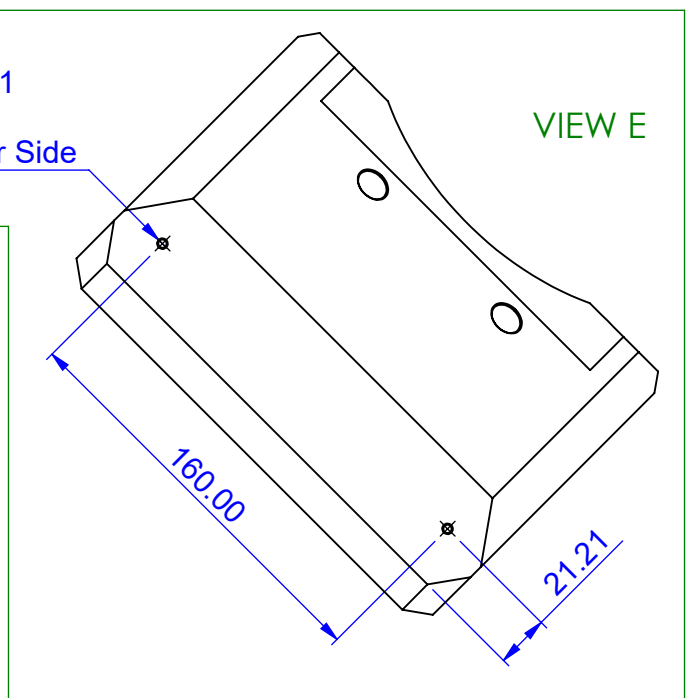
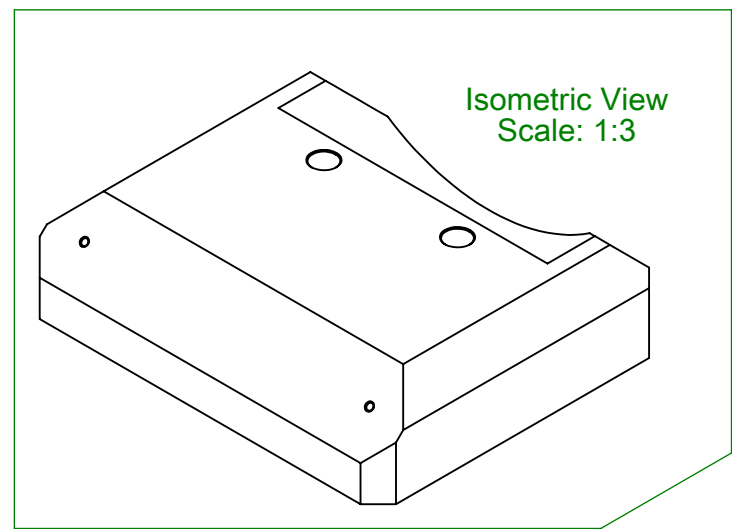
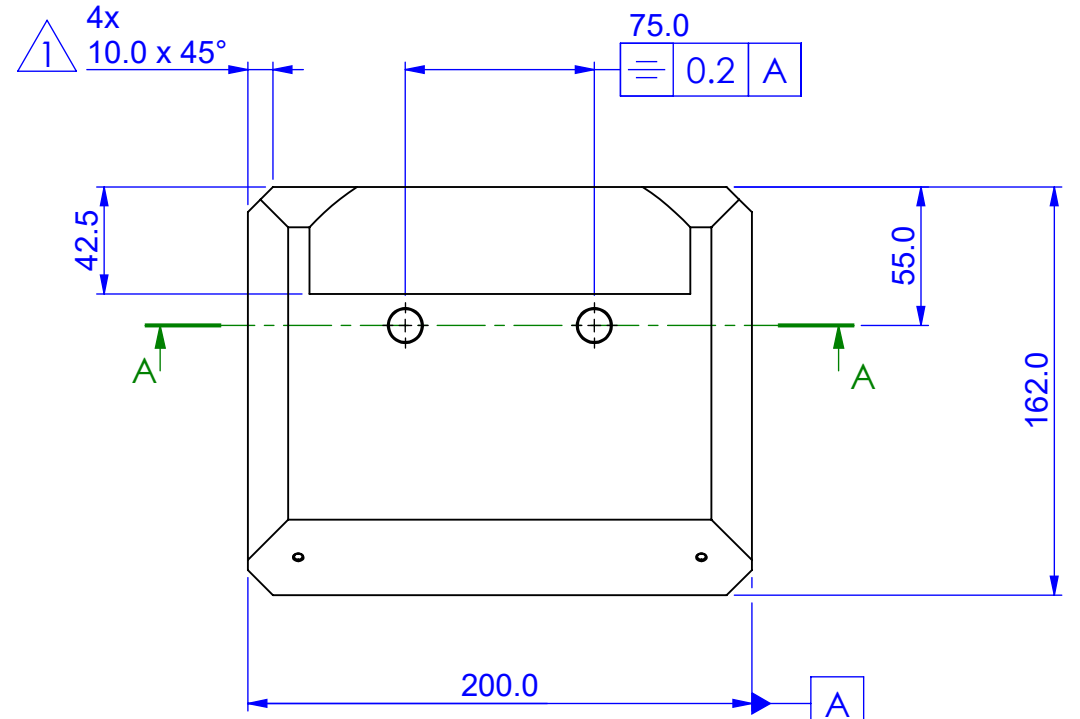


REVISIONS				
REV.	DESCRIPTION	DATE	DRAWN	APPROVED
1	FIRST ISSUE	03-NOV-2019	WHC	WHC



2 x Ø 13.0 THRU
 □ Ø 25.0 20
 ✓ Ø 28.0 X 90°, Near Side
 ✓ Ø 14.0 X 90°, Mid Side
 ✓ Ø 14.0 X 90°, Far Side

- NOTE
- 3 CHAMFERS ON TOP FACE
 - 4 CHAMFERS ON CORNERS
 - FINISH: FINE SAND ALL OVER AND CLEAR WAX

Customer Confidential

White Horse CAD Ltd Design Rights 2019 Tel: +44 (0) 1373 801 803 www.whitehorsecad.com		Material: Mahogany	Project: Wobble Engine	Drawing Number: P9999-13101	Scale: 1:3	Rev: 1	Name: WHC	Date: 03-Nov-2019	Weight: 0.79Kg
		Material Standard: (If Required)	Title: Base	All Dimensions in mm DO NOT SCALE	Paper Size: A3	Sheet: 1 of 1	Drawn: WHC	Checked: WHC	Approved: WHC
		Finish: See Notes	THIRD ANGLE PROJECTION	Unspecified Dimensions X ± 1mm X.X ± 0.3mm X.XX ± 0.1mm					

A B C D E F G H