
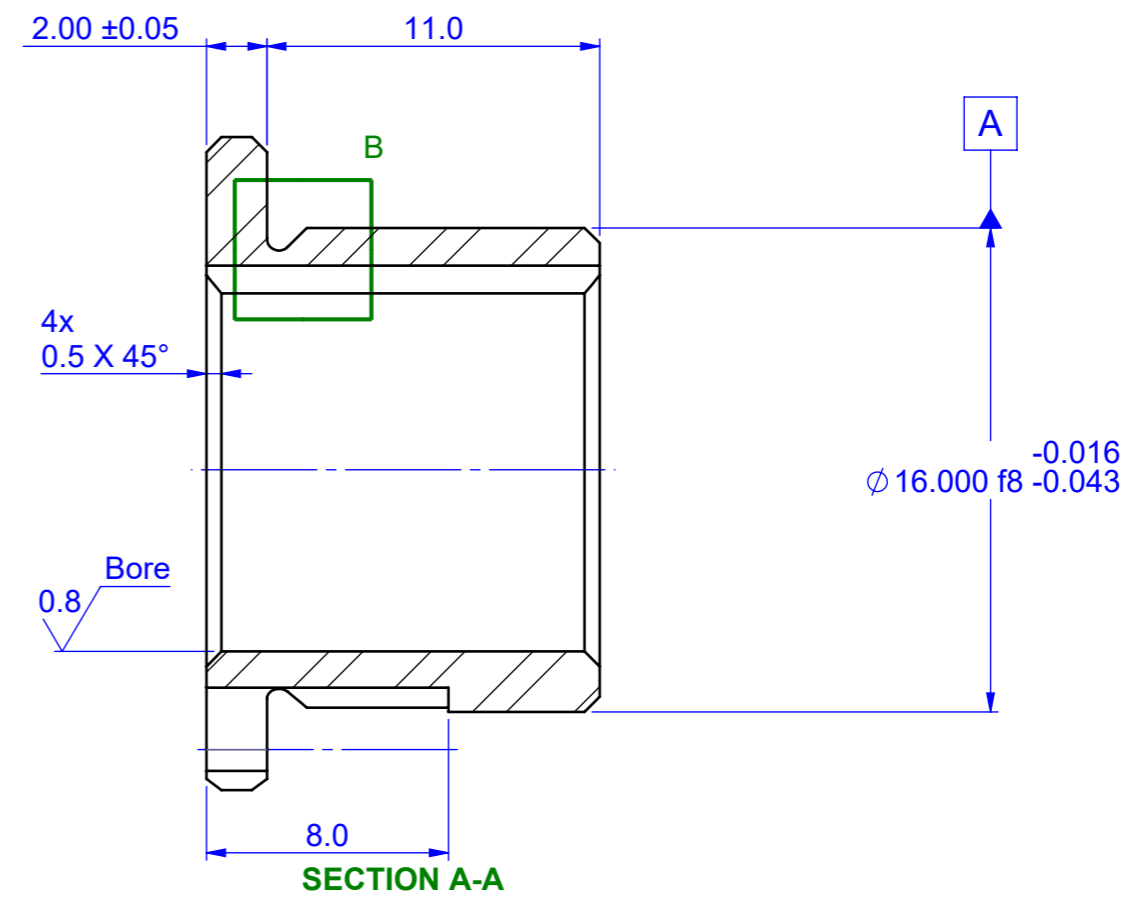
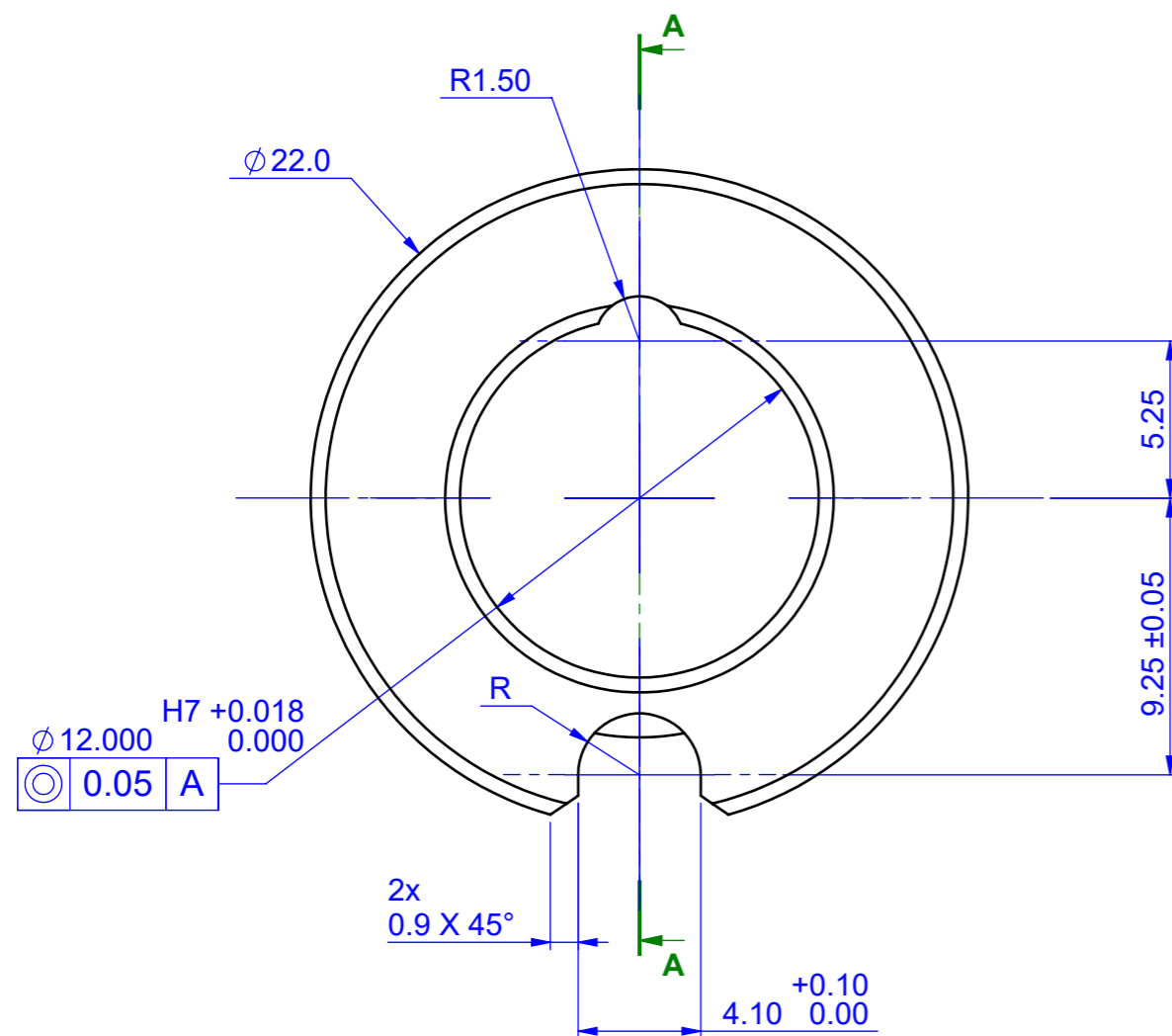
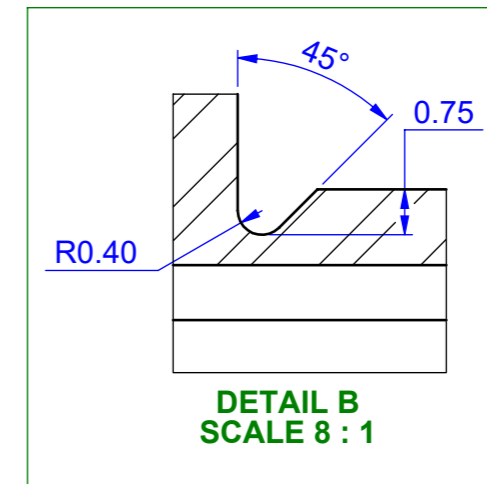



Notes

1. Remove all sharp edges
2.  Unless Otherwise Stated



Customer Confidential

White Horse CAD Ltd Design Rights 2019 Tel: +44 (0) 1373 801 803 www.whitehorsecad.com		Material: Phosphor Bronze	Project: Wobble Engine	Drawing Number: P9999-12102	Scale: 4:1	Rev: 1	Name: WHC	Date: 29-Oct-2019	Weight: 0.01Kg
		Material Standard: (If Required) PB104	Finish: As Machined	Title: Piston Bearing	Unspecified Dimensions X ± 1mm X.X ± 0.3mm X.XX ± 0.1mm	All Dimensions in mm DO NOT SCALE	Paper Size: A3 Sheet: 1 of 1	Checked: WHC Approved: WHC	Date: 29-Oct-2019 Date: 29-Oct-2019