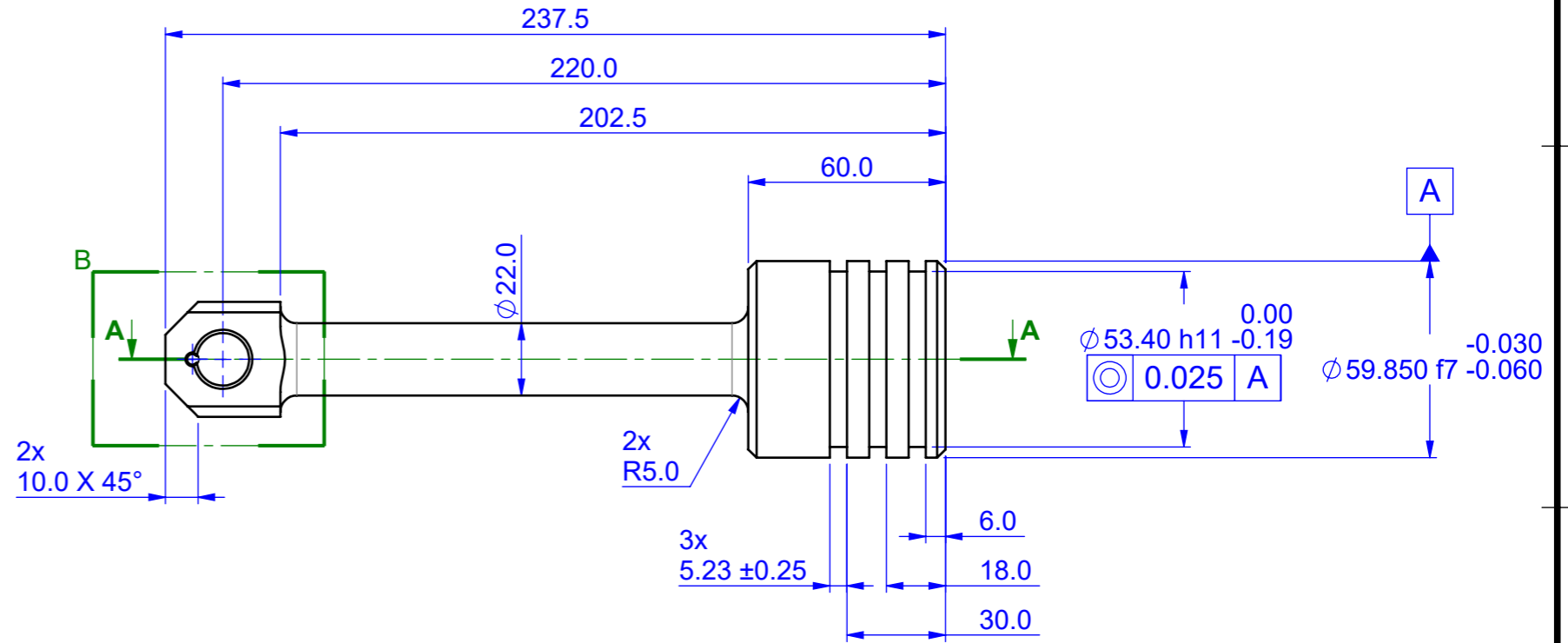
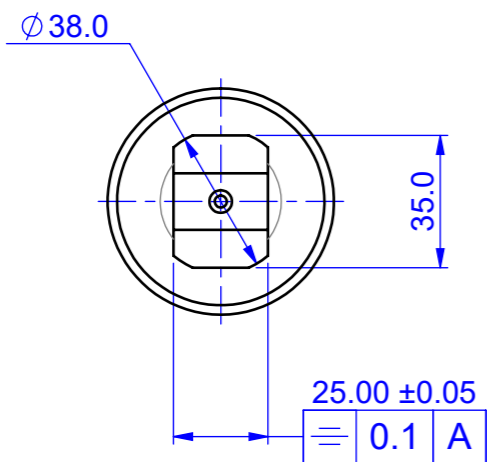
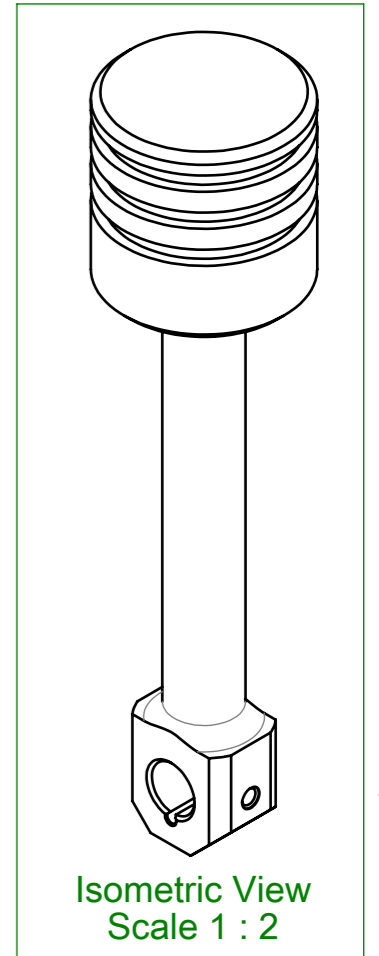
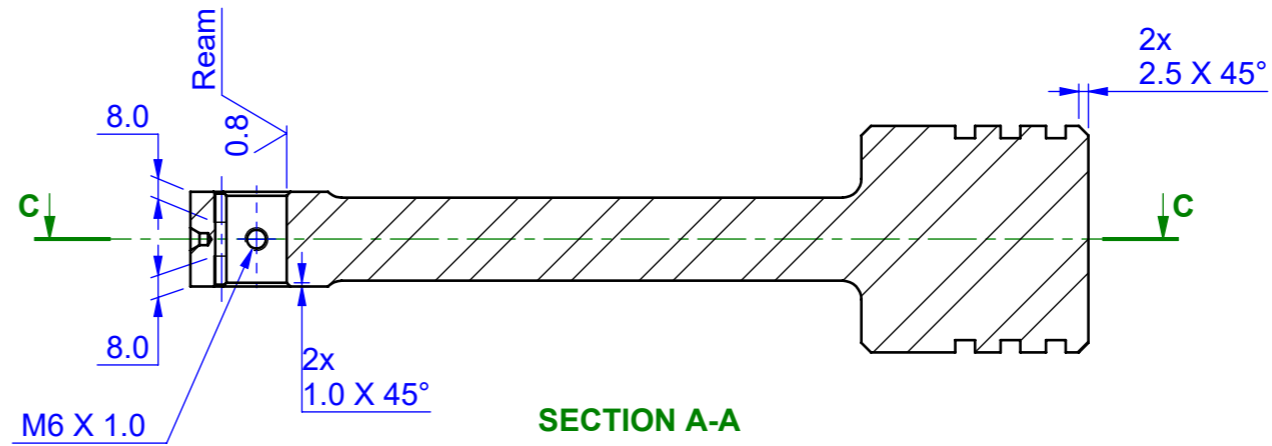
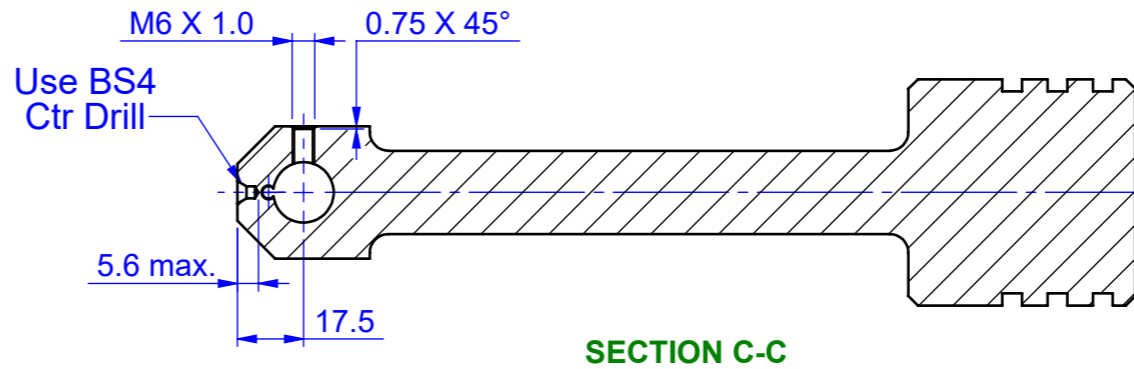
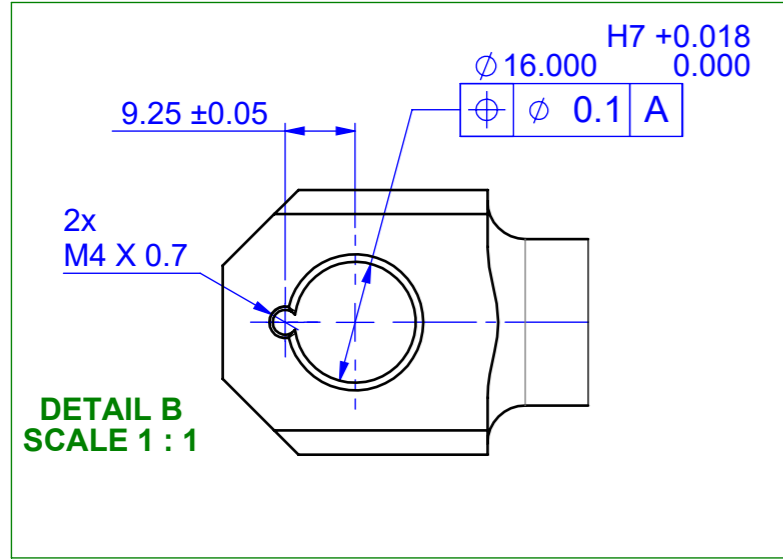


Notes

- Remove all sharp edges  
1.6
- Unless Otherwise Stated  
2x
- Drill & Tap M4 X 0.7 before machining  $\phi 16.000$  H7 +0.018 / 0.000



Customer Confidential

White Horse CAD Ltd Design Rights 2019 Tel: +44 (0) 1373 801 803 www.whitehorsecad.com		Material: EN8	System: Wobble Engine	Drawing Number	Scale	Rev	Date	Rev	Drawn	Notes
		Material Standard: (If Required) BS 970 080m40	Item: Piston	P9999-12101	1:2	1	11-Oct-2019	1	WHC	
		Finish: As Machined	THIRD ANGLE PROJECTION	Unspecified Dimensions X ± 1mm X.X ± 0.3mm X.XX ± 0.1mm	All Dimensions in mm DO NOT SCALE	Paper Size A3	Sheet 1 of 1			